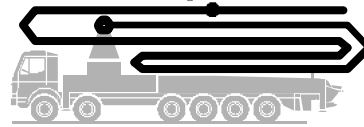


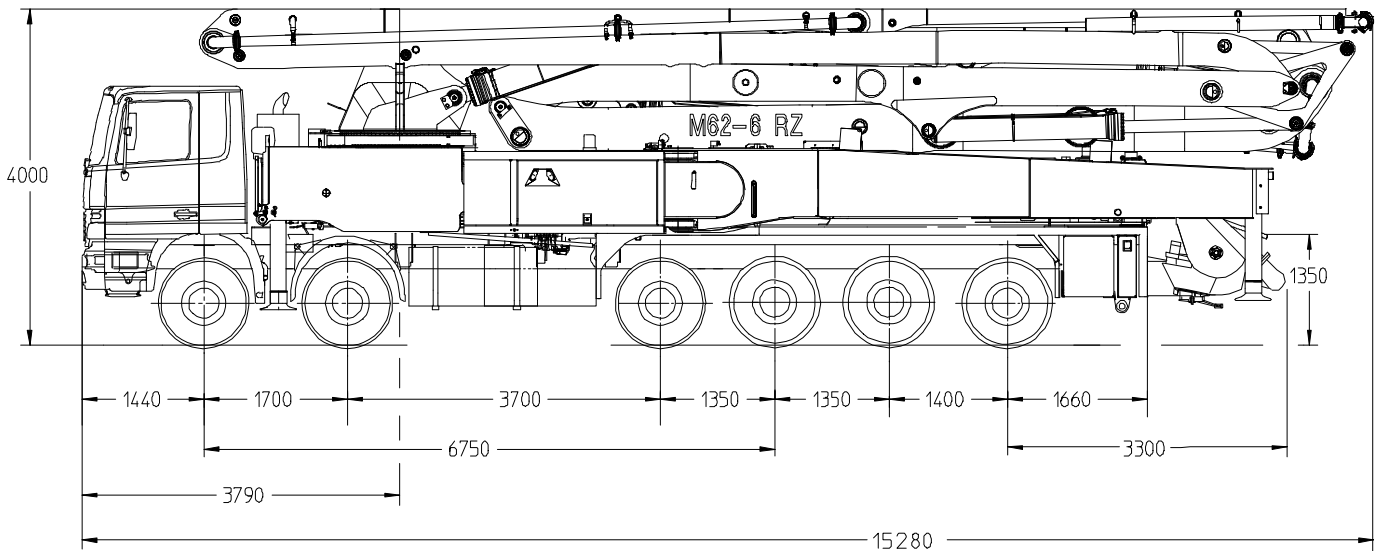
**Putzmeister**

# Truck-mounted concrete pump BSF 62-6.16 H

Output up to 200 m<sup>3</sup>/h  
Delivery pressure up to 130 bar\*



.16 H LS  
.20 H



Note: Serial version. Dimensions and weights depend on truck.  
Dimensions in mm, MB-Actros 6560 as example.

## Technical data

Boom M 62-6		
Sections		6
Reach height	m	61.1 <sup>1)</sup>
Horizontal reach	gross	m 57.1
	net	m 52.4
Reach depth max.	m	44.3
Unfolding height	m	23.0
End hose length	m	3
Folding system		RZ
Delivery line		DN 125/117 <sup>2)</sup>

Pump		BSF	.16 H	.16 H LS	.20 H
Rod side	Output	m <sup>3</sup> /h	160	-	-
	Delivery pressure	bar	85	-	-
	Strokes	1/min.	31	-	-
Piston side	Output	m <sup>3</sup> /h	108	160	200
	Delivery pressure	bar	130	85	85
	Strokes	1/min.	21	26	26
	Delivery cylinder	Ø mm	230	250	280
	Stroke	mm	2100	2100	2100

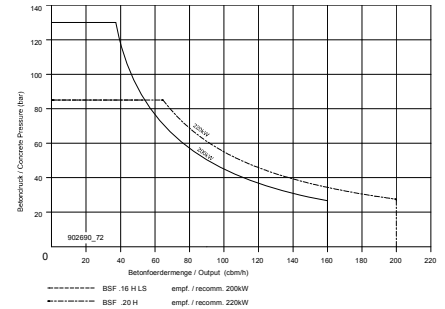
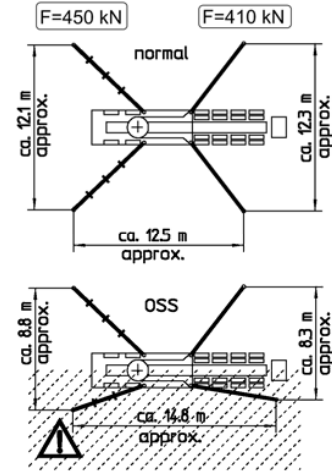
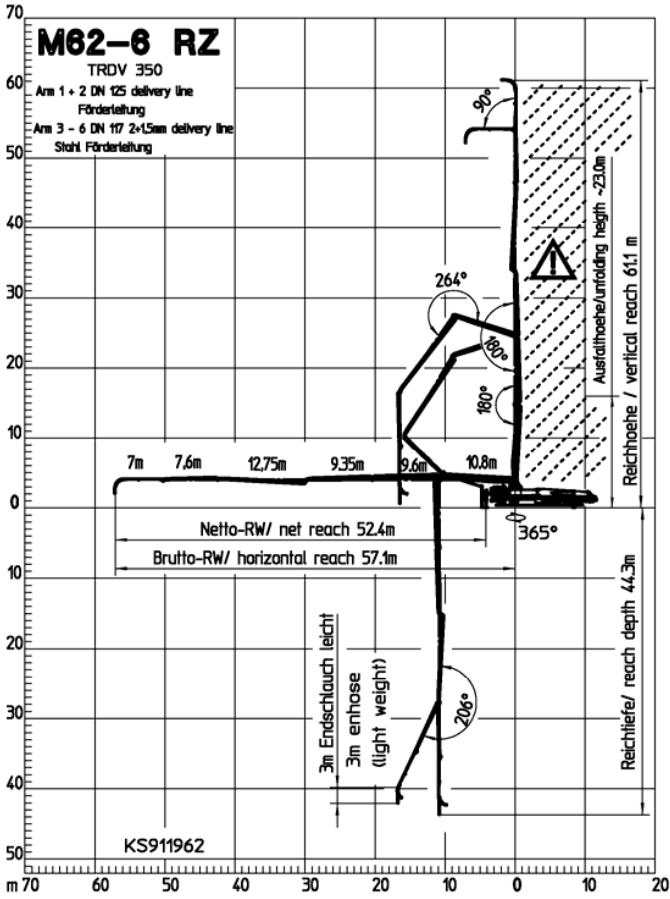
<sup>1)</sup> with endhose elbow

<sup>2)</sup> Sections 1+2 DN125, sections 3 to 6 DN117

\*) Delivery line boom max. 85 bar.

All data maximum theoretical.

# Reach information diagram, Support, Performance diagram



All data max. theor.



Range in which you must not work with the end hose.

## Serial delivery scope

Agitator and water pump radio remote/on site controlled
Boom pedestal TRDV
Cardan shaft maintenance free
Central lubrication boom electrically
Central lubrication hopper, electrically
Concrete hopper RS 900 with agitator
Connections for hydraulic emergency supply
C pipe connection for filling water tank
Delivery cylinder chrome-plated
Delivery line (2-layer) PM2020/2015 Proline, arm assembly
Delivery piston "compact" (16 H), „single“ (16 H LS, 20 H)
Diagnose interface
Diesel tank in supp. leg rear right side
EBC (Ergonic Boom Control) 6 arms
End hose 3,0 m DN 125 5,5"
Ergonic Graphic Display (EGD) with machine fault management
Ergonic Pump System (EPS) incl. Ergonic Output Control (EOC)

Ergonic Teleservice (ETS) only with EPS, without SIM card
Flashlights for 4 support legs front and rear
Flushing water pump 160 l/min 25 bar
Hand working search light lighting hopper, detachable
Hard metal wear parts kit
High pressure water pump 100 bar with dry-run protection
Horn at the second lever, button yellow at hopper
Hydraulic hose for replacement in hose pack
Lighting modul control box
Operating manuals 2 x cert. (1 x paper, 1 x CD-ROM) spare part list
OSS one side support (assistance device for one side support)
Painting: pump MB 1227 chrome yellow
Painting: arm assembly RAL 3020 signalred
Pipe magazine on swing leg
Platform non-skid
Pump on/off dependent on speed
Radio remote control proportional with display
Remote control with 40 m cable, without display
Rubber collar on hopper

Single piston
Spectacle wear plate DURO 22
Splash guard foldable
Spotlights 4 x for illumination support area
Spray hose 10 m incl. bracket
Spray tank with air-pressure connection
S-transfer tube switchover fast/slow
Support plates (4 x) in magazine (2 x) open
Support plates 4 x + timber wood 8 x 1000 in magazine added
Swivel support plates
Teleservice (ETS)
Tool box, painted RAL 9007, grey
Tool set incl. standard equipment
Towing eye
Traffic permission kit up to 30 m
Vibrator radio remote/on site controlled
Water tank 880 l
Working search light for hopper illumination

See quotation for exact serial delivery scope. Comprehensive range of options available on request.