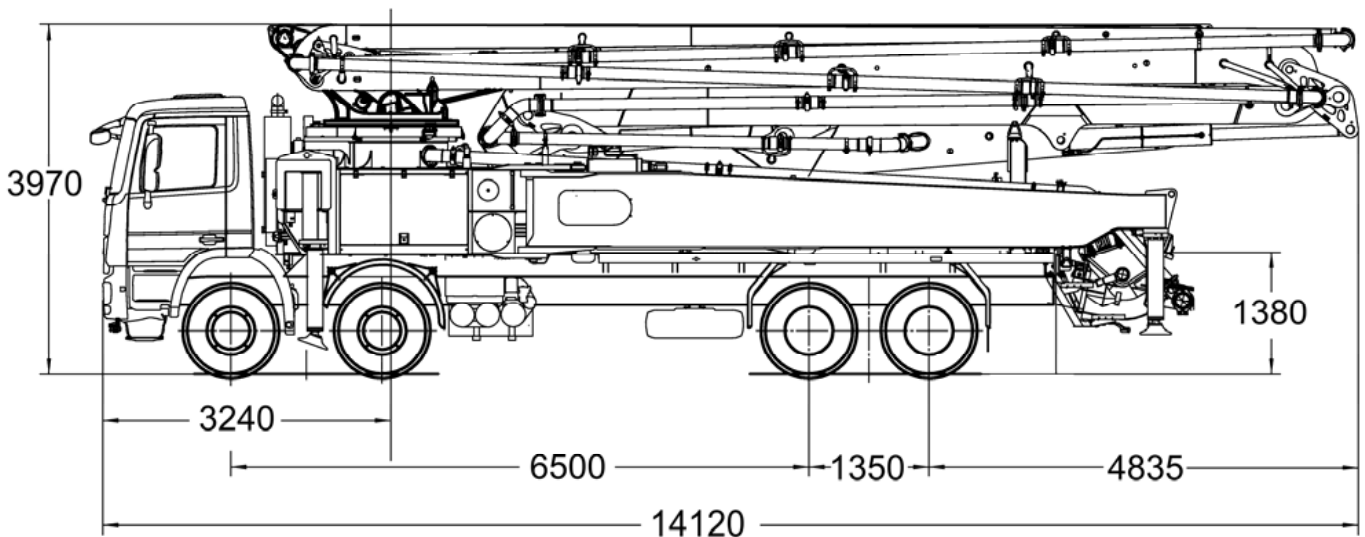
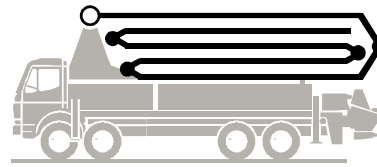


**Putzmeister**

# Truck-mounted concrete pump BSF 56-5.16 H

**.16 H LS**

Output up to 160 m<sup>3</sup>/h  
Delivery pressure up to 85 bar\*



Note: Standard version. Dimensions and weights depend on truck, pump model and equipment.  
Dimensions in mm, MB-Actros 4640 B, Euro 2.

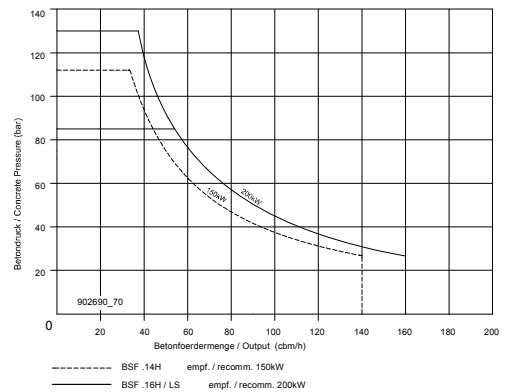
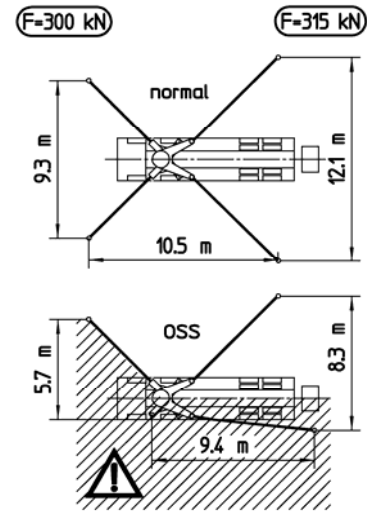
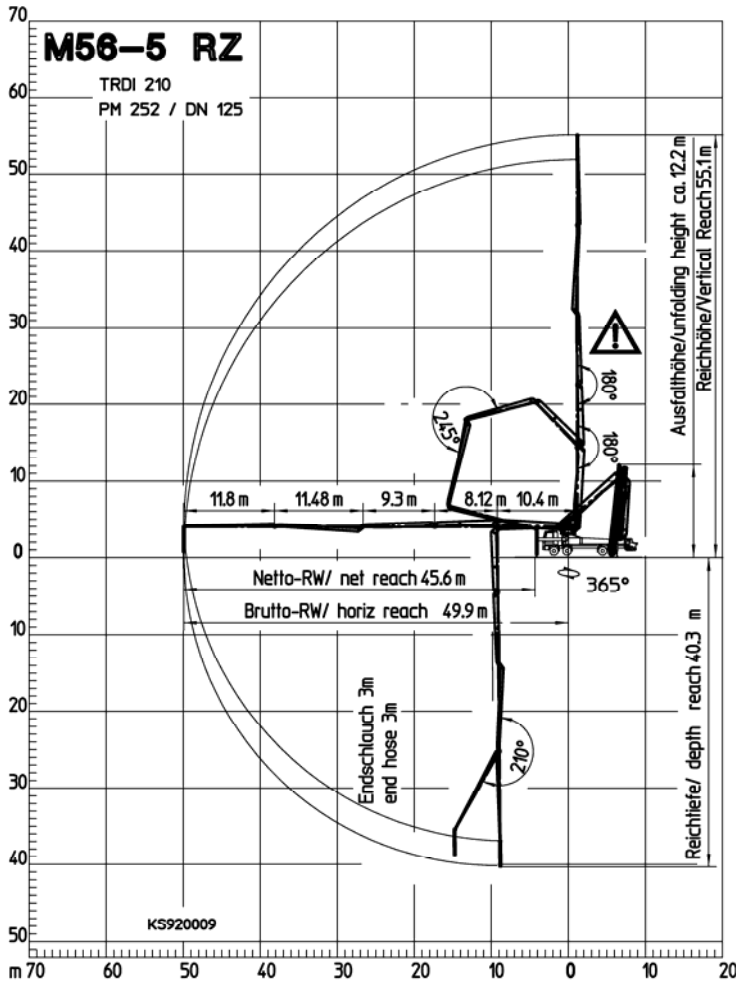
## Technical data

| Boom M 56-5      |       |        |
|------------------|-------|--------|
| Sections         |       | 5      |
| Reach height     | m     | 55.1   |
| Horizontal reach | gross | m 49.9 |
|                  | net   | m 45.6 |
| Reach depth max. | m     | 40.3   |
| Unfolding height | m     | 15.6   |
| End hose length  | m     | 3      |
| Folding system   |       | RZ     |
| Delivery line    |       | DN 125 |

| Pump        |                   | BSF               | .16 H | .16 H LS |
|-------------|-------------------|-------------------|-------|----------|
| Rod side    | Output            | m <sup>3</sup> /h | 160   | -        |
|             | Delivery pressure | bar               | 85    | -        |
|             | Strokes           | 1/min.            | 31    | -        |
| Piston side | Output            | m <sup>3</sup> /h | -     | 160      |
|             | Delivery pressure | bar               | -     | 85       |
|             | Strokes           | 1/min.            | -     | 26       |
|             | Delivery cylinder | Ø mm              | 230   | 250      |
|             | Stroke            | mm                | 2100  | 2100     |

\*) Delivery line boom max. 85 bar.  
All data maximum theoretical.

# Reach information diagram, Support, Performance diagram



All data max. theor.



Range in which you must not work with the end hose.

## Serial delivery scope

|   |
|---|
| Agitator and water pump radio remote / on-site controlled       |
| Agitator safety cutout (RSA) in RFID with self-start protection |
| Box for delivery slip   |
| Box for sponge balls  |
| C-pipe connection for filling water tank                        |
| Cardan shaft maintenance free                                   |
| Central lubrication hopper, electrically                        |
| Concrete hopper RS 909 with agitator                            |
| Connections for hydraulic emergency supply                      |
| Delivery cylinder, chrome-plated                                |
| Delivery line (2-layer) PM 2520, arm assembly                   |
| Delivery piston "compact" (16 H), "single" (16 H LS)            |
| Diagnose interface  |
| End hose 3,0 m DN 125   |
| Ergonic Graphic Display (EGD) with machine-failuremanagement    |

|  |
|--|
| Ergonic Pump System (EPS) incl. Ergonic Output Control (EOC) |
| Flushing water pump 160 l/min, 25 bar                        |
| Hinged elbow with cleaning port                              |
| Horn via mushroom button at hopper                           |
| Hydraulic spare hose in hose-package                         |
| Operating manual certified                                   |
| Oscillating support plates                                   |
| OSS (One Side Support, assistant device)                     |
| Platform non-skid  |
| Radio remote control proportional with display               |
| Rearsteps foldable   |
| Remote control with 40 m cable, without display              |
| Rubber collar at hopper                                      |
| Spectacle wear plate DURO 22                                 |
| Splash guard foldable  |
| Spray hose 10 m incl. bracket                                |

|   |
|---|
| Storage box, plastic, black                                   |
| S-transfer tube switchover normal/fast                        |
| Supportplates at slewing leg in holder                        |
| Toolset incl. standard equipment                              |
| Towing eye  |
| Wateroutlet for small amounts at hopper (1/2")                |
| Watertank 800 l   |
| Working light for lightening of hopper                        |
| Water supply, hopper (1/2")                                   |
| Water tank 800 l left, diesel tank right side in support legs |

See quotation for exact serial delivery scope.  
Comprehensive range of options available on request.