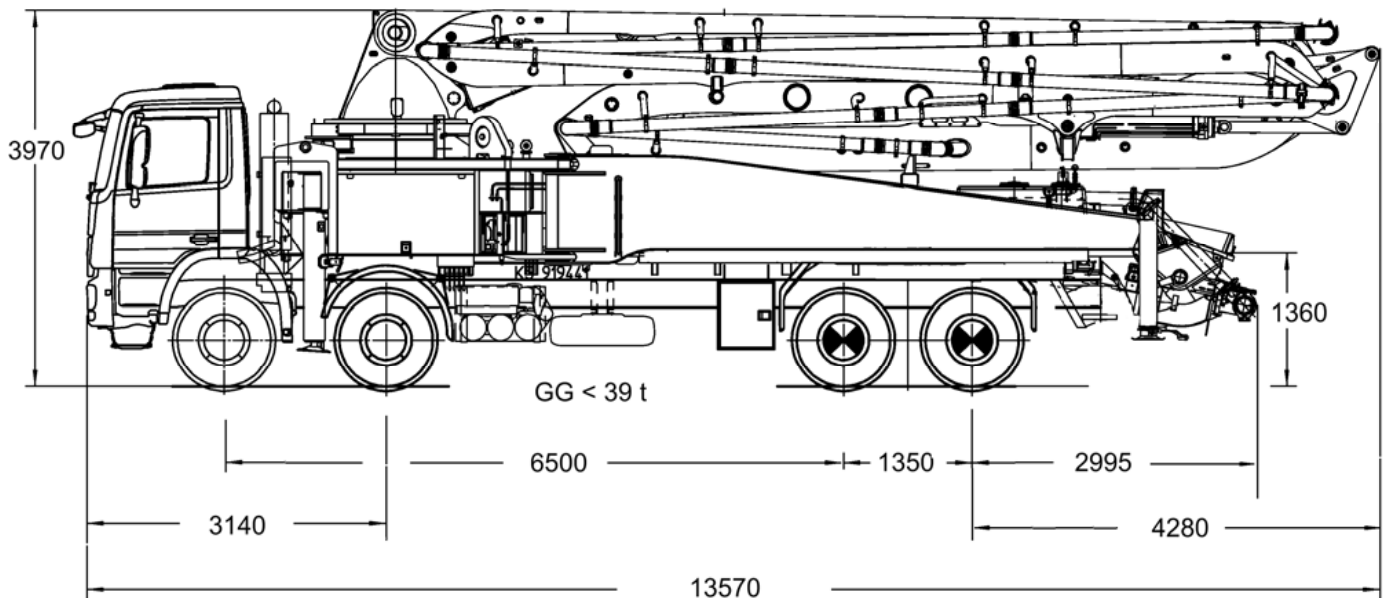
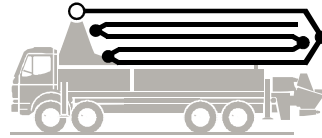


Putzmeister

Truck-mounted concrete pump

BSF 49-5.16 H

Output up to 160 m³/h
 Delivery pressure up to 130 bar*



Note: Serial version. Dimensions and weights depend on truck, pump model and equipment.
 Dimensions in mm, MAN TGS 41.400 as example.

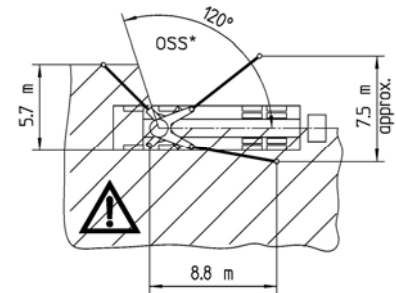
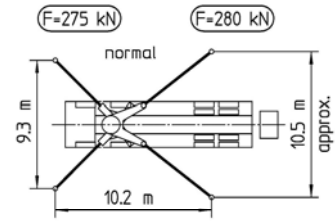
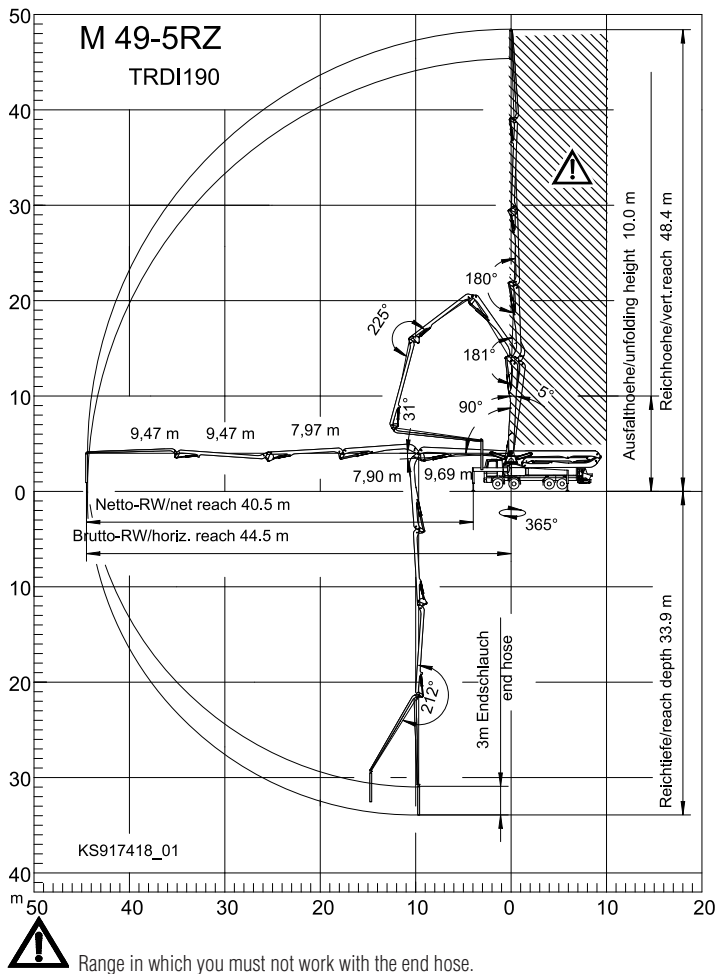
Technical data

Boom M 49-5		
Sections		5
Reach height	m	48.4
Horizontal reach	gross	m 44.5
	net	m 40.5
Reach depth max.	m	33.9
Unfolding height	m	10.0
End hose length	m	3
Folding system		RZ
Delivery line		DN 125

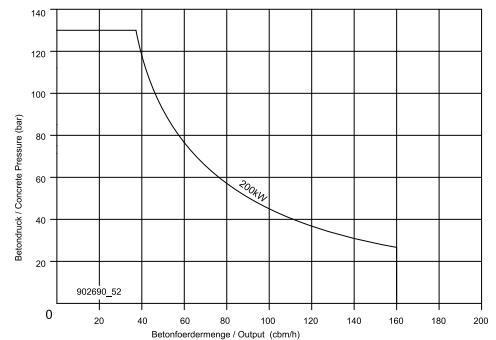
Pump		BSF	.16 H
Rod side	Output	m ³ /h	160
	Delivery pressure	bar	85
	Strokes	1/min.	31
Piston side	Output	m ³ /h	108
	Delivery pressure	bar	130
	Strokes	1/min.	21
	Delivery cylinder	Ø mm	230
	Stroke	mm	2100

*) Delivery line boom max. 85 bar.
 All data maximum theoretical.

Reach information diagram, Support, Performance diagram



*) OSS not included in series range
OSS ist nicht im Serienumfang enthalten



All data max. theor.

Serial delivery scope

Agitator and water pump radio remote / on site controlled	Ergonic Graphic Display (EGD) with machine fault management	Splash guard fixed
Boom pedestal TRDI	Ergonic Pump System (EPS) incl. Ergonic Output Control (EOC)	Spray hose 10 m incl. bracket
Boom rear light 24 V	Flushing water pump 160 l/min 25 bar	S-transfer tube switchover fast/slow
Cardan shaft maintenance free	Hand working search light lighting hopper, detachable	Support plates (4 x) in magazine (2 x) open
Central lubrication strip hopper	Hydraulic hose for replacement in hose pack	Swivel support plates
Chassis horn via remote control on hopper	Operating manuals 2 x cert. (1 x paper, 1 x CD-ROM) spare part list	Tool set incl. standard equipment
Concrete hopper RS 900 with agitator	Painting: pump MB 1227 chrome yellow	Towing eye
Connections for hydraulic emergency supply	Painting: arm assembly RAL 3020 signalred	Water supply, hopper (1/2")
C-pipe connection for filling water tank	Platform non-skid	Water tank 880 l
Delivery cylinder chrome-plated	Pump on/off dependent on speed	
Delivery line (1-layer) PM 40, arm assembly	Radio remote control proportional with display	
Delivery piston 'compact'	Rubber collar on hopper	
Ddiagnose interface	Spectacle wear plate DURO 22	
End hose 3,0 m DN 125 5,5"		

See quotation for exact serial delivery scope.
Comprehensive range of options available on request.