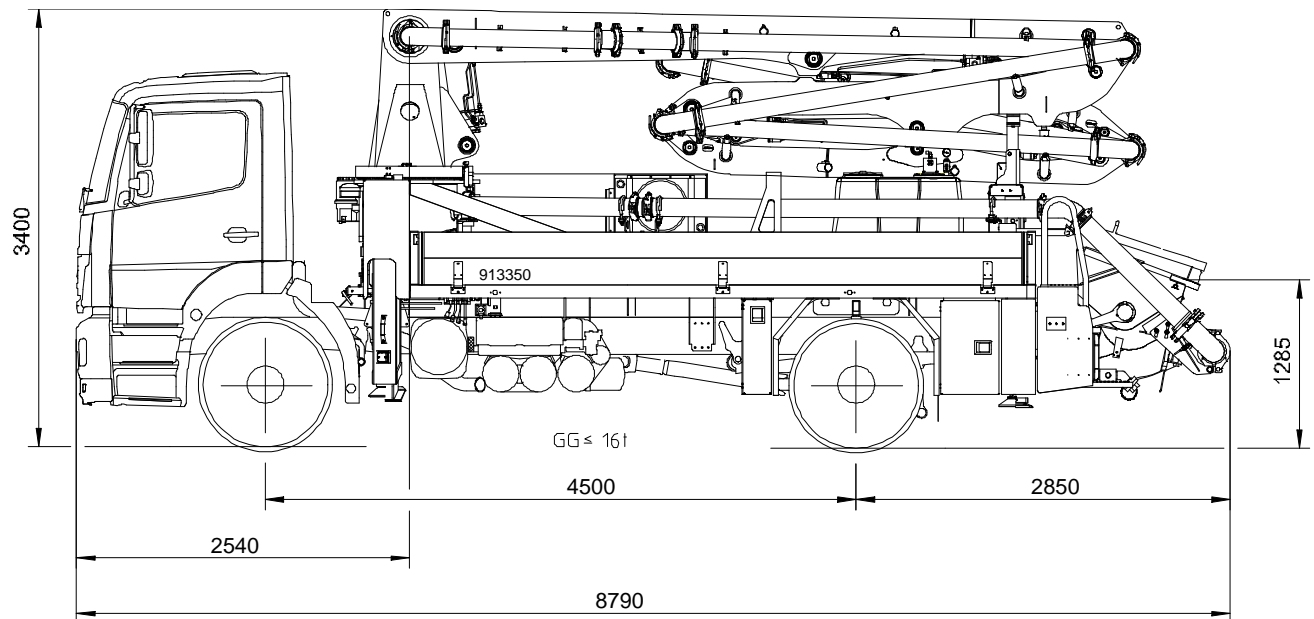
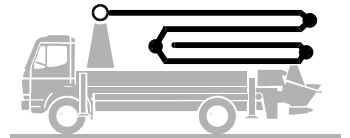


# Truck-mounted concrete pump

## BSF 20-4.09 H

Output up to 90 m<sup>3</sup>/h

Delivery pressure up to 78 bar



Note: Standard version. Dimensions and weights depend on truck and equipment.  
Dimensions in mm, MB-Axor 1828 as example

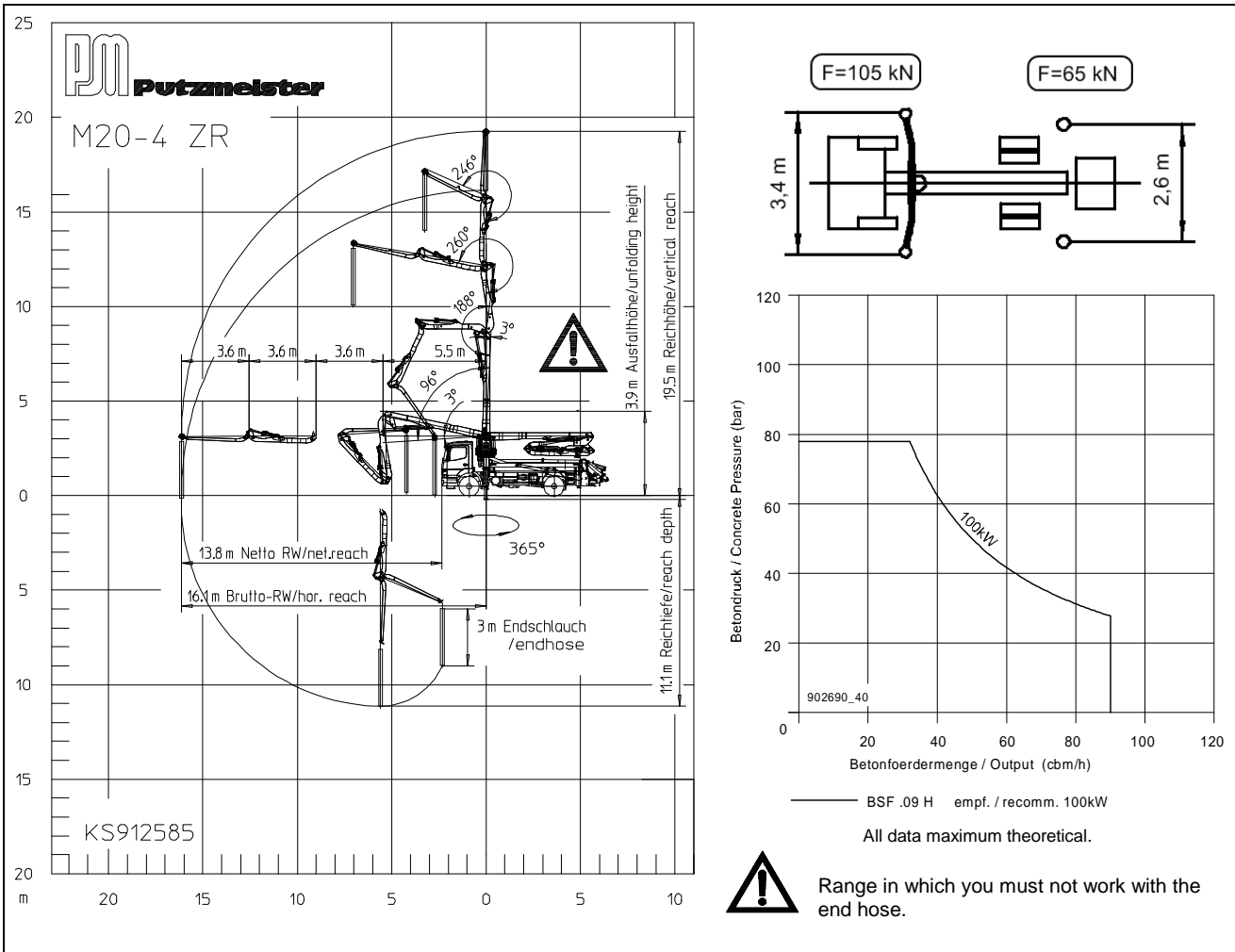
### Technical Data

Boom M 20-4			
Sections			4
Reach height	m		19.5
Horizontal reach	gross	m	16.1
	net	m	13.8
Reach depth max.	m		11.1
Unfolding height	m		3.9
End hose length	m		3
Folding system			ZR
Delivery line			DN 125

Pump		BSF .09 H	
Rod side	Output	m <sup>3</sup> /h	-
	Delivery pressure	bar	-
	Strokes	1/min.	-
Piston side	Output	m <sup>3</sup> /h	90
	Delivery pressure	bar	78
	Strokes	1/min.	26
	Delivery cylinder	∅ mm	230
	Stroke	mm	1400

All data maximum theoretical.

## Reach information diagram, Support, Performance diagram



### Serial delivery scope

agitator and water pump radio remote/on site controlled  
boom pedestal TR  
boom rear light 24 V  
cardan shaft maintenance free  
central lubrication strip hopper  
chassis horn via remote control on hopper  
connections for hydraulic emergency supply  
C-pipe connection for filling water tank  
delivery cylinder chrome-plated  
delivery line (1-layer) PM40, arm assembly  
delivery piston "compact"  
diagnose interface  
end hose 3,0 m DN 125, 5,5"  
Ergonic Graphic Display (EGD) with machine fault management  
Ergonic Pump System (EPS) incl. Ergonic Output Control (EOC)  
flushing water pump 160 l/min 25 bar  
hand working search light lighting hopper, detachable  
hydraulic hose for replacement in hose pack  
operating manuals 2x cert. (1x paper, 1x CD-ROM) spare part list

painting: pump MB 1227 chrome yellow  
painting: arm assembly RAL 3020 signal red  
platform non-skid  
pump on/off dependent on speed  
radio remote control proportional with display  
remote control with 25m cable, without display  
RS 600 with S 2015D and slewable 90° elbow  
rubber collar on hopper  
side panel left foldable  
side panel right foldable  
spectacle wear plate DURO 22  
splash guard fixed  
spray hose 10 m incl. bracket  
S-transfer tube switchover fast/slow  
support plates (4x) in magazine (2x) open  
Tool set incl. standard equipment  
towing eye  
water supply, hopper (1/2")  
water tank 610 l

See quotation for exact serial delivery scope.

Comprehensive range of options available on request.