

# Telebelt® TBS 130 & TBS 600

Semi-trailer Telescopic Belt Conveyor  
Moving Forward with Greater Versatility

**Putzmeister**



- **Mass concrete placement**
- **Places materials from sand to 152 mm rock**
- **Smooth surge-free conveying results**
- **Tractor-trailer configuration**
- **Chassis versatility meets local weight restrictions**

## Telebelt TBS 130 & TBS 600 Semi-Trailer Advantages:

- **Maneuverable 5th wheel trailer configuration**
  - Greater mobility on-site
  - Tighter turning radius
  - Reduced axle loads
- **Chassis versatility**
  - The TBS 130 and TBS 600 can be driven with either a two- or three-axle chassis
  - Chassis selection based on location-specific weight restrictions
  - Customers around the world can match the Telebelt trailer axle configuration with a chassis that meets their preferences and needs

## ■ **Material placement does not rely on the chassis engine**

- Self-contained Deutz engine
- Promotes lower operation costs and reduced fuel consumption
- Without chassis, machine footprint is reduced
- The chassis can be used for other tasks on- or off-site
- Tandem Dolly available to move TBS 130 or TBS 600 on-site with a dozer, wheel loader or other available equipment

## ■ **Application flexibility**

- Ideal for mass concrete placement
- Fast delivery of any flowable material up to 100 mm for the TBS 130 and 152 mm for the TBS 600

## Telebelt®

### Preliminary Specifications TBS 130

### TBS 600

### TBS 130

### TBS 600

#### Conveyors - 5-Section

Conveyor horizontal reach —		
Maximum at 0°	38.56 m	31.08 m
Maximum at 29°	33.74 m	27.20 m
Conveyor belt width	457 mm	610 mm
Feed conveyor length	11.60 m	11.60 m
Feed conveyor belt width	457 mm	610 mm
Trunk/end hose length	4.57 m	4.57 m
Discharge height from grade —		
Maximum at 29°	20.81 m	16.78 m
Maximum at -15°	- 7.86 m	- 6.34 m
Rated capacity at 0°	4.60 m³/min	7.65 m³/min
main & feed conveyors	275 m³/h	458 m³/h
Rated capacity up to 20°	2.90 m³/min	4.81 m³/min
main & feed conveyors	175 m³/h	288 m³/h
Rotation — hydraulic	360°	360°

#### Outriggers

Net reach beyond outriggers —		
at 0°	36.81 m	29.3 m
at 29°	31.99 m	24.0 m

Outrigger spread L - R – front	8.56 m	8.56 m
hydraulically swing out and extend down		
Outrigger spread L - R — rear	8.10 m	8.10 m
hydraulically telescope out and extend down		

#### Engine – Self-Contained

Model	Deutz TCD 2012	Deutz TCD 2012
EU stage/EPA*	3A/Tier 3	3A/Tier 3
Cylinder	6	6
Power	Diesel	Diesel
Displacement	6.6 Liter	6.6 Liter
Horsepower	208 HP (155 kW)	208 HP (155 kW)

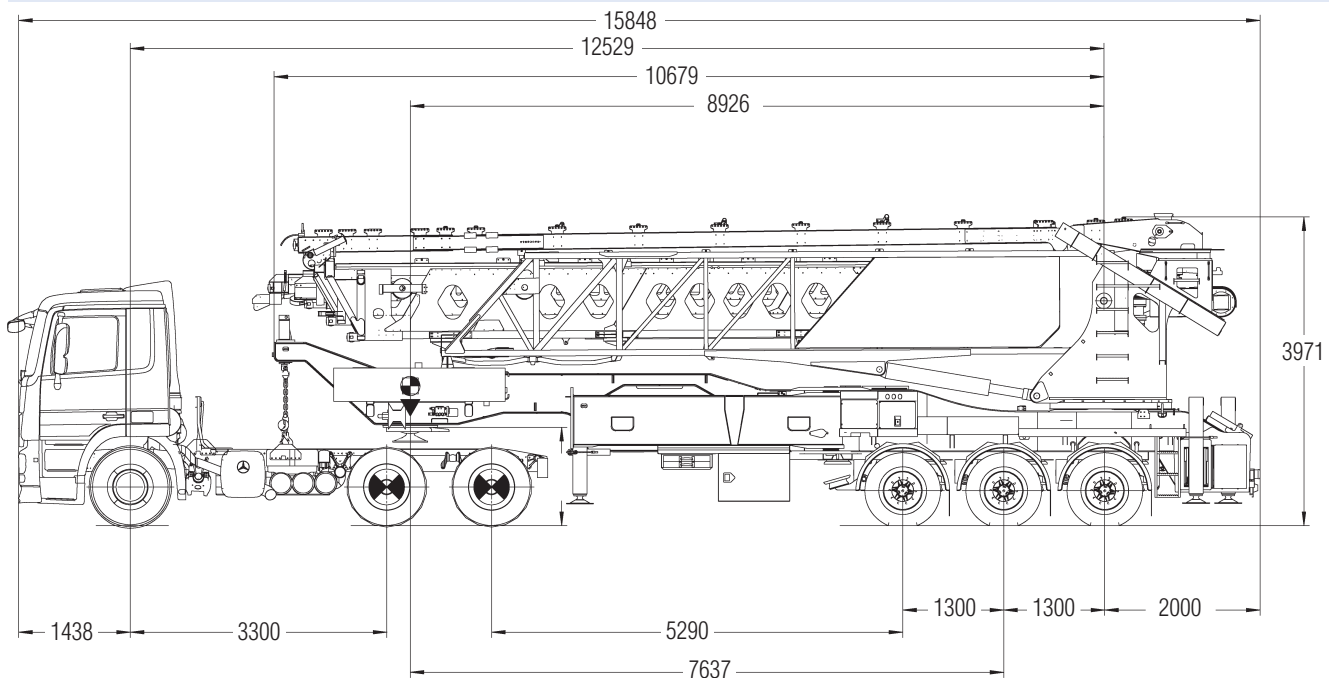
\* Also Tier 2 available

#### Transport Axle Weights\*

Steer 1-axle	5,837 kg	5,837 kg
Drive 2-axes	10,657 kg	10,657 kg
Trailer 3-axes	23,480 kg	23,480 kg
Total (approx.)	39,974 kg	39,974 kg
King Pin	7,855 kg	7,855 kg

Maximum theoretical values listed.

Truck dimensions will vary with different truck makes, models and specifications. Weights are approximate and include tractor unit, complete Telebelt, full hydraulic oil, 200 l fuel and driver.



#### The Putzmeister Group

Concrete Technology PCT · Mortar Technology PMT  
 Pipe Technology PPT · Water Technology PWT  
 Industrial Technology PIT · Belt Technology PBT  
 Underground Technology PUC

Right to make technical amendments reserved  
 © by Putzmeister Concrete Pumps GmbH 2010  
 All rights reserved  
 Printed in Germany (1004PM)

Putzmeister Concrete Pumps GmbH  
 Max-Eyth-Str. 10 · 72631 Aichtal/Germany  
 P.O.Box 21 52 · 72629 Aichtal/Germany  
 Tel. +49 (71 27) 599-0 · Fax +49 (71 27) 599-520  
 E-mail: pmw@pmw.de · www.putzmeister.com

# Putzmeister