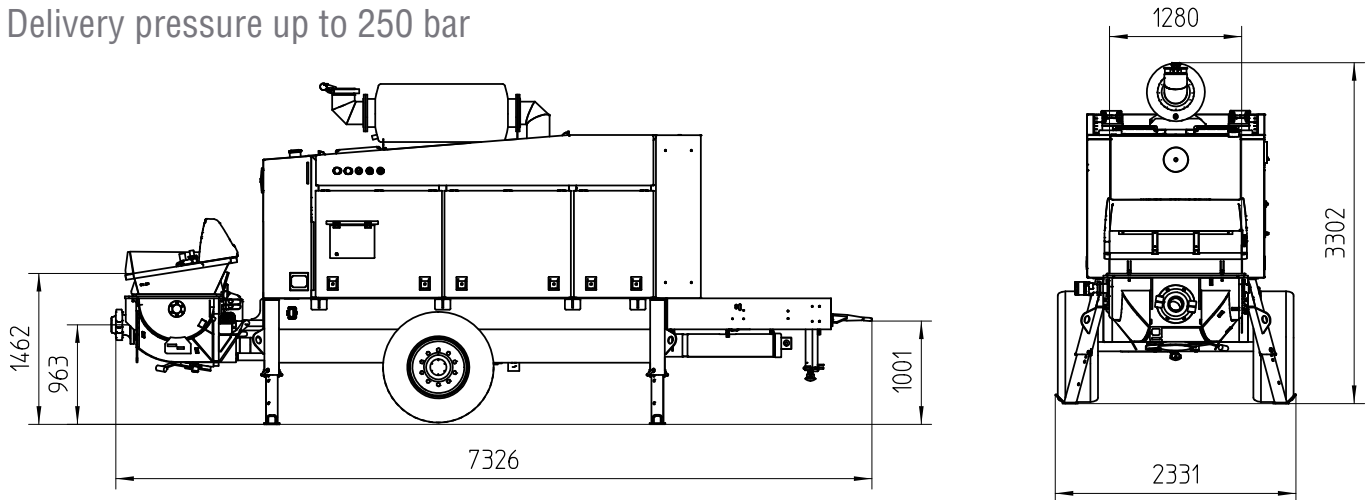


Putzmeister

Stationary concrete pump

BSA 14000 HP D

Output up to 102 m³/h
Delivery pressure up to 250 bar



Note: Standard version BSA 14000 HP D. Dimensions and weights depend on equipment. Subject to technical modifications and errors.

Technical data

Model		BSA 14000 HP D	BSA 14000 HP D
Material number	m ³ /h	102363.000	102364.000
Output	m ³ /h	84 / 57 *	102 / 70 *
Delivery pressure	bar	158 / 231 *	150 / 220 *
Delivery cylinder	Ø mm	180	200
Delivery cyl. stroke	mm	2100	
Strokes / minute		26 / 17 *	26 / 18 *
Engine power	kW	470	
Hopper		RS 905 HF	
Capacity	l	600	
Filling height	m	approx. 1.3	
Transfer tube		S 1812 D	
Line connection	mm	ZX 125	
Pressure connection	"	8	
Control system		EPS FFH	
Weight	kg	10500	

* Values for hydraulic fluid being fed to piston-side
All data maximum theoretical

Serial equipment

Agitator safety switch off	Ergonic Graphic Display (EGD)
Balloon tyres incl. transport protection	Flushing water pump 160 l/min 25 bar
Cable remote control 10 m	Gate valve connection
Central lubrication on hopper, electrical	Grill 60 mm
Cleaning accessories	Hard metal wear parts
Coloring: Pump, frame, roof and tank anthracite grey; cover chrome yellow	Operating manuals (1× paper, 1× CD-ROM) spare part list
Concrete hopper with agitator	Pump flow meter
Concrete output adjust, electrically	Set-up foot hydraulically
Concrete pressure adjust, electrically	Splash guard
Coupling ring (DIN)	Speed drawdown automatically on pump stop
Drive diesel, CAT 470 kW	Square outriggers 4× mech.
Electronic error management	Tool set incl. standard equipment
	Trailer F8, can be driven on job site

See quotation for exact serial delivery scope.
Comprehensive range of options available on request.