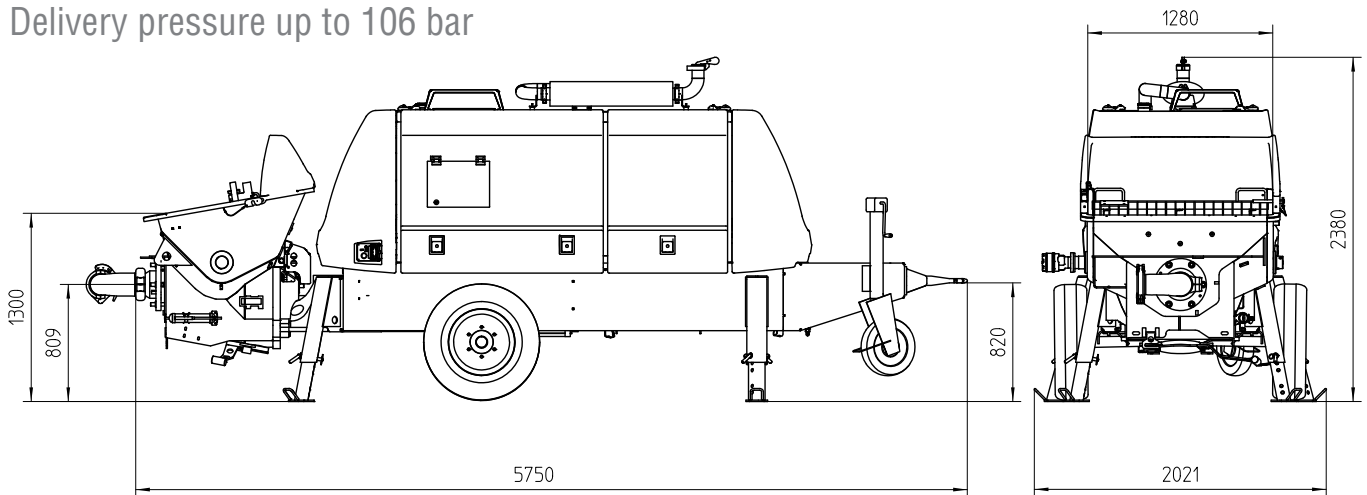


**Putzmeister**

# Stationary concrete pump

# BSA 1409 D

Output up to 97 m<sup>3</sup>/h  
Delivery pressure up to 106 bar



Note: Standard version. Dimensions and weights depend on equipment. Subject to technical modifications and errors.

## Technical data

Model		BSA 1409 D
Material number		102348.000
Output	m <sup>3</sup> /h	97 / 67*
Delivery pressure	bar	71 / 106*
Delivery cylinder	Ø mm	200
Delivery cyl. stroke	mm	1400
Strokes / minute		37 / 25*
Engine power	kW	140
Hopper		RS 909
Capacity	l	approx. 600
Filling height	m	1.3
Transfer tube		S 2015 D
Line connection	mm	SK 125
Pressure connection	"	5.5
Control system		EPS FFH
Weight	kg	4500

\* Values for hydraulic fluid being fed to piston-side  
All data maximum theoretical

## Serial equipment

Agitator safety switch off	Gate valve connection
Cable remote control 10 m	Grill 70 mm
Central lubrication on hopper with hand lever press	Operating manuals (1× paper, 1× CD-ROM) spare part list
Cleaning accessories	Outriggers 4× mech.
Coloring: Pump, frame, roof, tank and hood anthracite-grey Cover chrome yellow	Pump flow meter
Concrete hopper with agitator	Reduction bend 90°; SK 150 → SK 125
Concrete output adjust	Speed drawdown automatically on pump stop
Concrete pressure adjust	Splash guard
Coupling ring (DIN)	Support wheel
Drive diesel, Deutz 140 kW	Tool set incl. standard equipment
Electronic error management	Trailer F8, travelling in site
Ergonic Graphic Display (EGD)	
Flushing water pump 50 l/min 20 bar	

See quotation for exact serial delivery scope.  
Comprehensive range of options available on request.